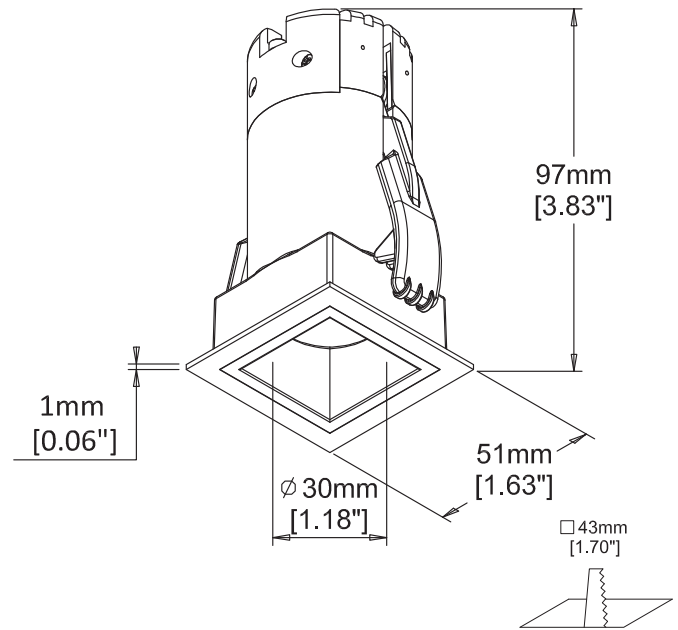


Specification sheet

REV.1

Lithe 25, Colour Square 1" Architectural Recessed Downlight



Description

Lithe 25 is a truly singular recessed downlight that is unmatched in many aspects including performance, construction, installation, and quality. This luminaire is engineered to deliver up to 550 lm from just 1" aperture. Owing to a micro-flange design and just 1.7" ceiling cutout, it is one of the smallest downlight that seamlessly integrates into the ceiling to provide maximal conformity and uniformity. Double trim enables color feature on inner trim for aesthetic and glare control purpose. This luminaire is designed with more than 30° glare control cutoff and carefully selected TIR lens system, available in spot, medium, wide, to present best visual comfort and light quality. Inner trims and TIR lens are available as accessories that can be easily swapped in the field. Unique spring design makes installation hassle-free. Lithe 25 is available with options for round, square, wall wash, three beam angles, four trim colors, four color temperatures, and 90+ CRI making it one of most complete 1" downlight family in the market.

Features

| | |
|-------------------|----------------------------------|
| LED | Lumileds Luxeon M LED Array |
| Color temperature | 2700K/ 3000K/ 3500K/ 4000K |
| Optics | Spot 14° / Medium 24° / Wide 39° |
| Trim Finishes | White / Gold / Blue / Black |
| Ceiling Cutont | 43mm X 43mm [1.70" X 1.70"] |

Performance

| | |
|-------------------|---|
| Delivered output | Up to 530 lm |
| Power consumption | Up to 9.6 W |
| Color rendering | 80+ CRI (90 CRI optional) |
| Color consistency | 3 SDCM |
| CBCP | Spot 2378cd/ Medium 1525cd/ Wide 1236cd |
| Lumen maintenance | L70 50,000 hrs |

Electrical and Control

| | |
|---------------|--|
| Input voltage | See recommended LED driver list |
| Control | TRIAC/ELV or 0-10V dimming |
| Feature | 1-10V dimming options Overload & short circuit protection |

Construction

| | |
|-------------|----------------------------|
| Material | Machining grade Aluminum |
| Trim shape | Square |
| Lens | Interchangeable TIR optics |
| Accessories | Softening diffusing film |

Rating/ Certification/ Warranty

- Dry and damp Locations
- RoHS compliant
- 5 years/ 50,000 hrs limited warranty
- UL Listed

Ordering Code Information

| PRODUCT | TRIM STYLE | LUMEN | COLOR TEMPERATURE | FINISH | BEAM ANGLE |
|-----------|---------------------|----------|--|--|--|
| LTE 25 SQ | S | 06 | 27 | WHGD | S |
| LTE 25 | R Round S square | 06 600lm | 27 (2700K) 30 (3000K) 35 (3500K) 40 (4000K) | WH(White) WHB(White/Black) WHBL(White/Dark Blue) WHGD(White/Gold) WHHZ (White/ Haze) | S (Spot) / 14 deg. M (Medium) / 24 deg. W (Wide) / 39 deg. |

Recommend LED Driver:

| Driver No. | Input Voltage | Dimming | Note |
|-------------|---------------|---------------|-----------------|
| DE-1-700-10 | 120V | TRIAC/ELV | |
| DE-1-900-10 | 120V | TRIAC/ELV | Consult Factory |
| DE-4-700-10 | 220-240V | TRIAC/ELV | |
| DE-4-900-10 | 220-240V | TRIAC/ELV | Consult Factory |
| DA-3-700-10 | 120-277V | 0-10V DIMMING | |

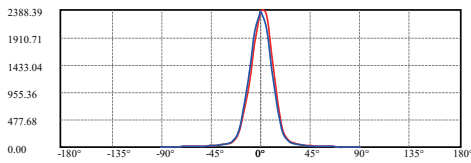
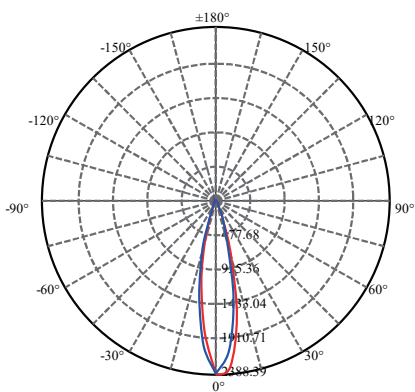
Photometric Data : Distribution Curve

Lite 25 RD Colour(Measured with Matt White Trim Finish)

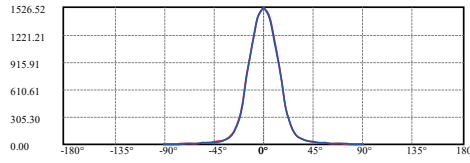
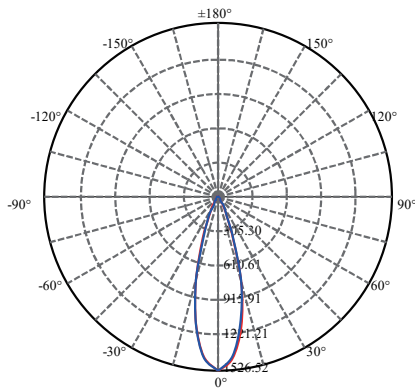
14° Beam Spread
3000K
> 526 lm
Efficacy > 55 LPW

24° Beam Spread
3000K
> 530 lm
Efficacy > 55 LPW

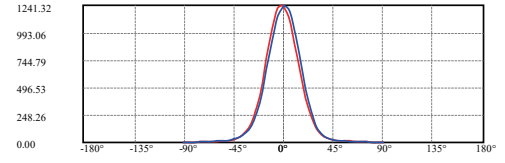
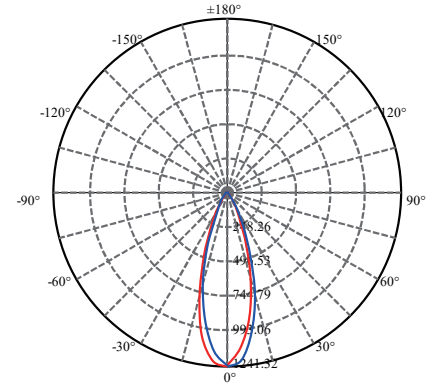
39° Beam Spread
3000K
> 529 lm
Efficacy > 55 LPW



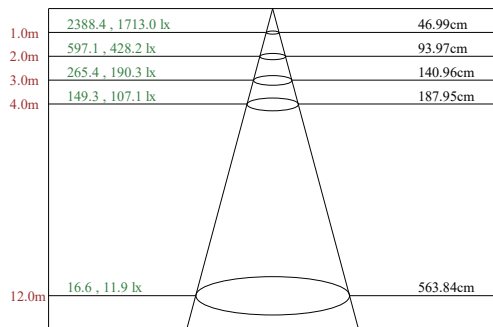
C0/C180: —
C90/C270: —



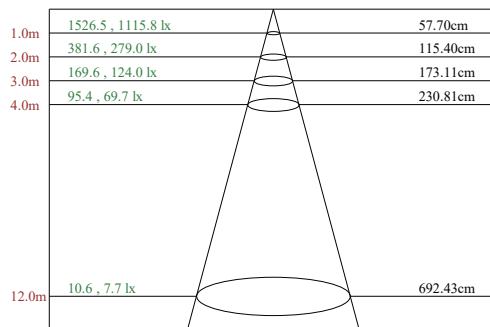
C0/C180: —
C90/C270: —



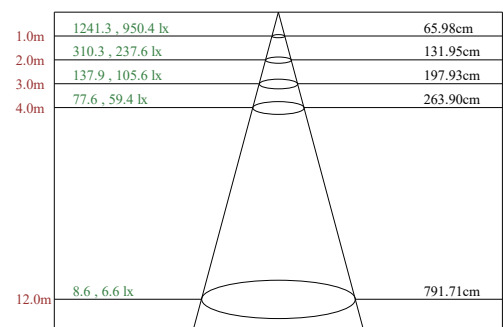
C0/C180: —
C90/C270: —



Max , Ave C0面光束角26.43



Max , Ave C285面光束角32.19



Max , Ave C120面光束角36.49